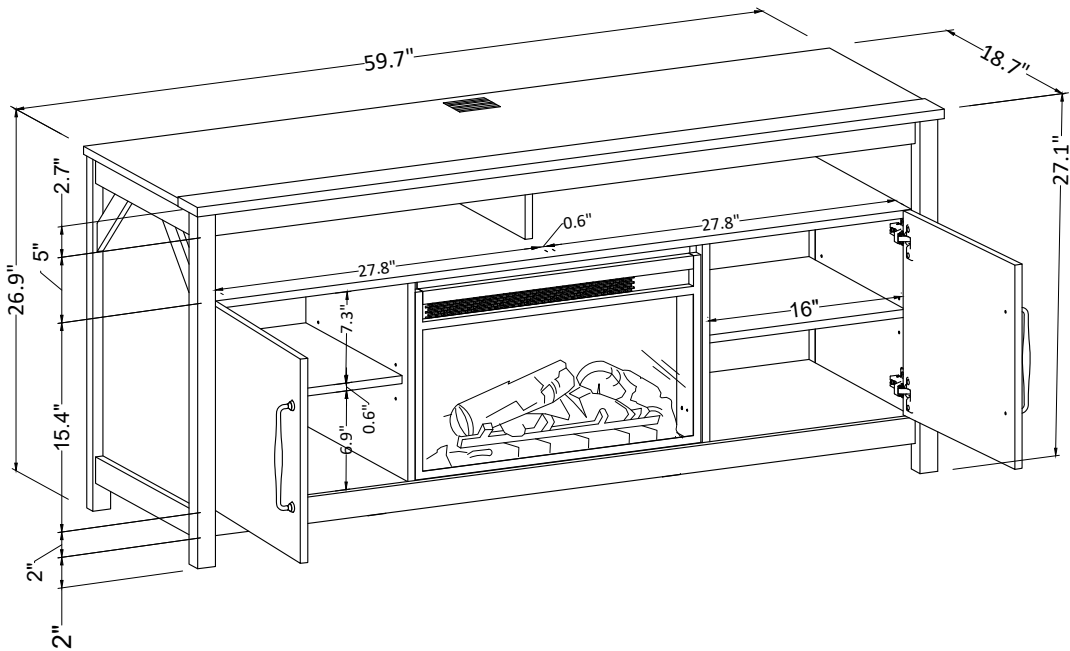


7916xxxCOM- Augusta Fireplace TV Stand

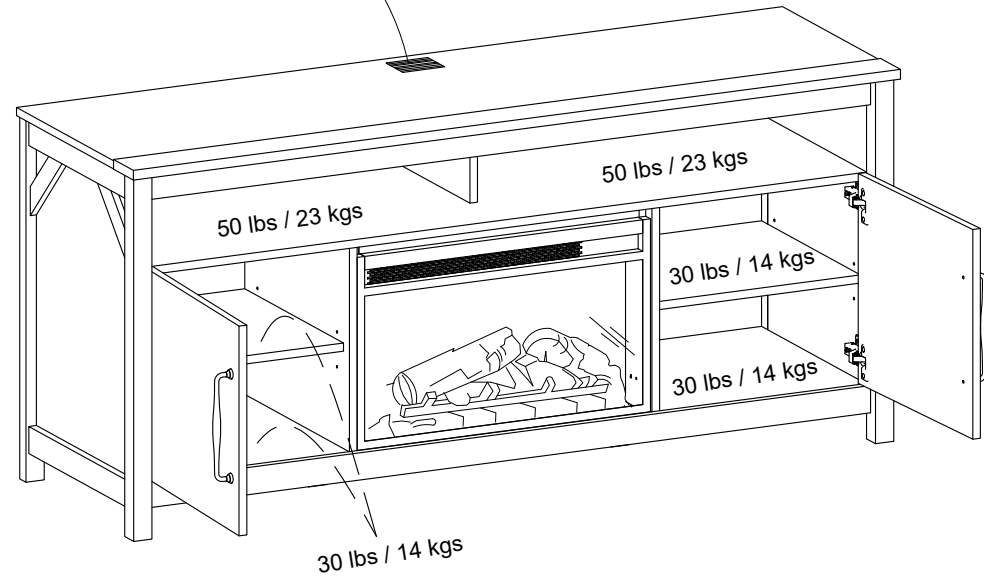
Finish: Reclaimed Oak / Magnolia Oak



Wood breakdown: 95%
Total storage: 17.4 cubic feet

Overall Product Size:
59.7"W x 18.7"D x 27.1"H
151.4cm W x 47.5cm D x 68.7cm H

Accommodates most flat panel TVs up to 65", 120 lbs./54.4 kgs MAX.



Maximum Weight Capacities
Unit Weight: 113 lbs. (51.3 Kgs)